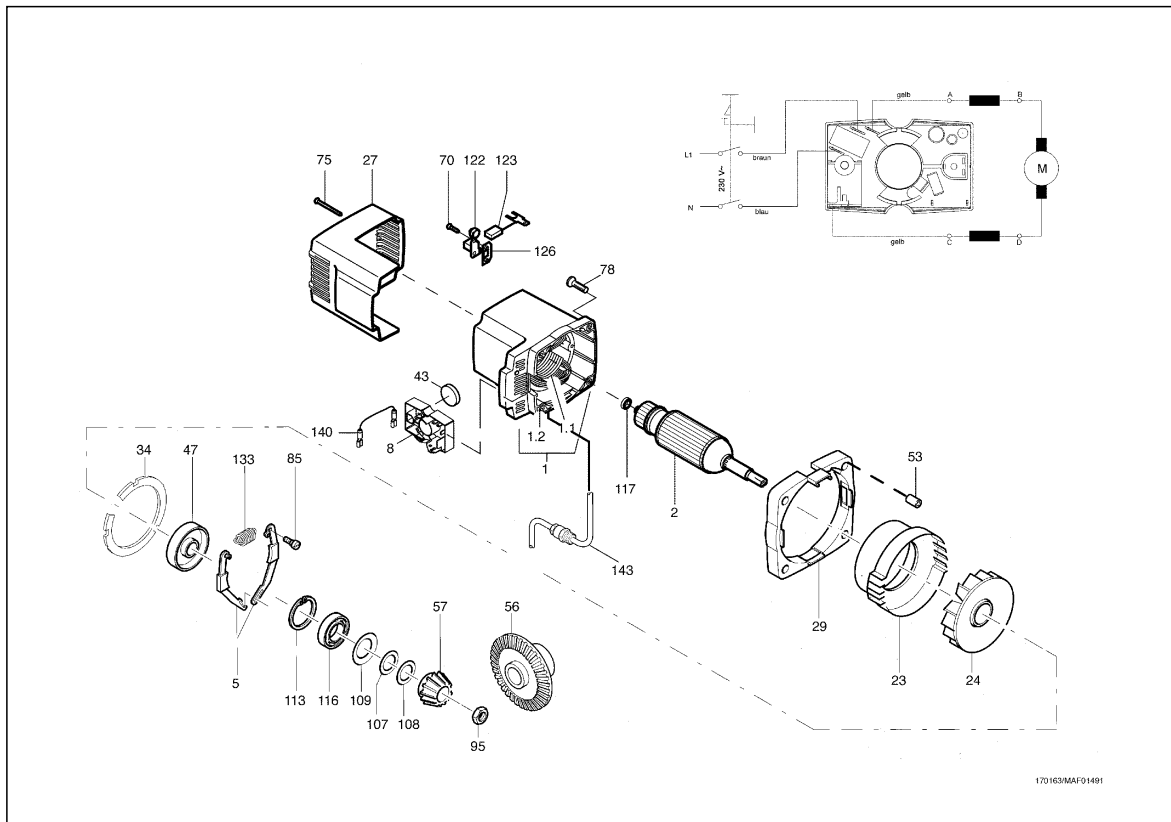
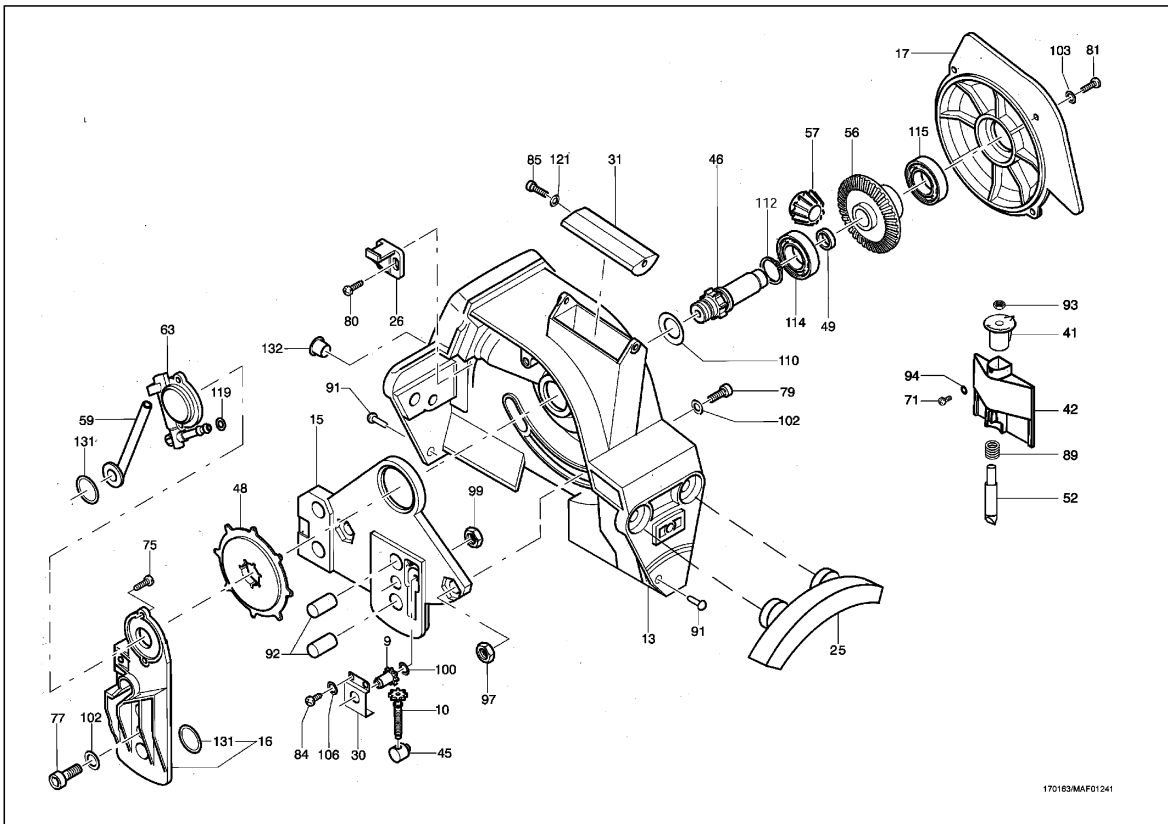
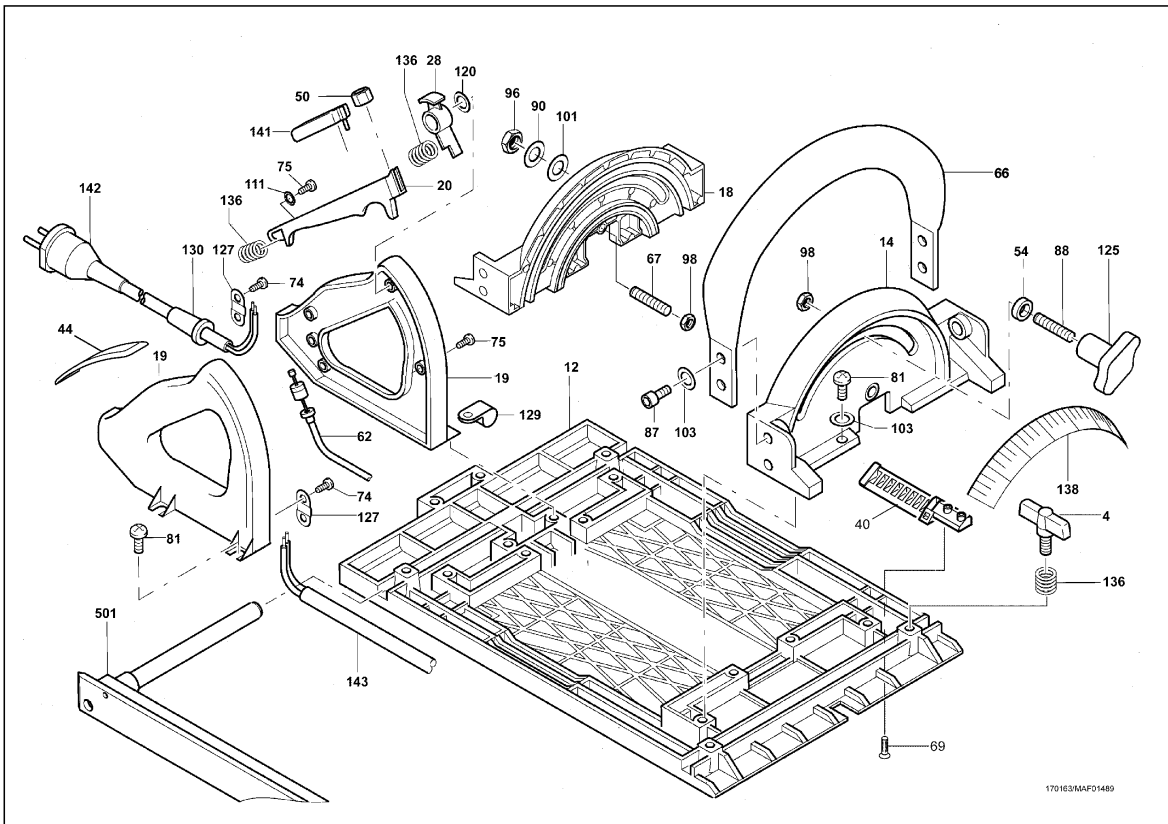
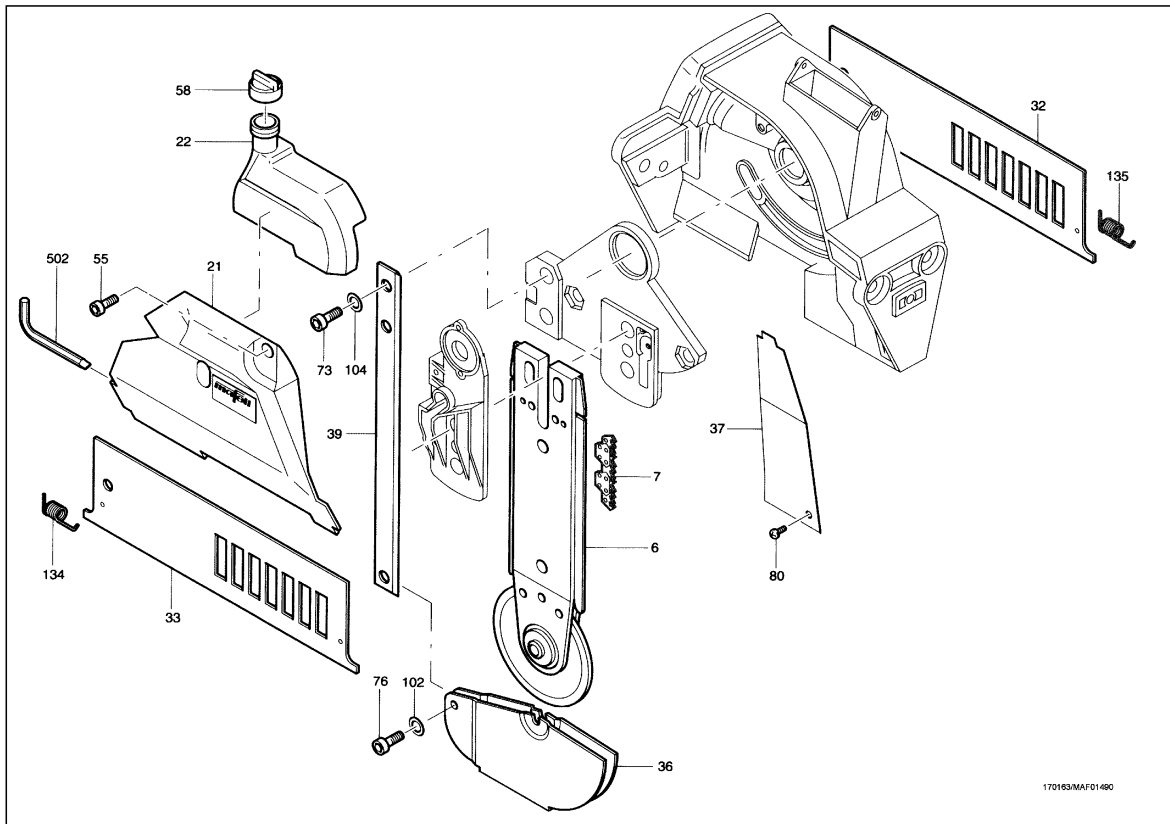


Carpenter's Saw ZSX Ec / 400 Q









| hotspot | spare part number | EAN | name of spare part | price in € | Preis-schlüssel |
|---------|-------------------|---------------|---|------------|-----------------|
| 1 | 084600 | 4032689160665 | Motor casing with inductor 230 V | 0,00 | 42 |
| 1.1 | 084615 | 4032689160290 | Inductor 230 V | 0,00 | 38 |
| 1.2 | 204574 | 4032689160696 | Motor casing | 0,00 | 27 |
| 2 | 088191 | 4032689160658 | Armature, balanced | 0,00 | 44 |
| 4 | 079070 | 4032689031828 | Wing screw | 0,00 | 5 |
| 5 | 201122 | 4032689015910 | Brake lever, cpl. | 0,00 | 15 |
| 6 | 204583 | 4032689161297 | Guide rail 3/8" 400 for 006971, 006974 | 0,00 | 99 |
| 7 | 006971 | 4032689160580 | Saw chain 3/8" 400 LX | 0,00 | 99 |
| 8 | 077147 | 4032689160450 | Control module | 0,00 | 30 |
| 9 | 201145 | 4032689002064 | Arbor, cpl. | 0,00 | 16 |
| 10 | 201146 | 4032689092805 | Tensioning screw, cpl. | 0,00 | 17 |
| 12 | 201101 | 4032689042190 | Base plate | 0,00 | 41 |
| 13 | 204185 | 4032689151151 | Gear casing | 0,00 | 48 |
| 14 | 204186 | 4032689151168 | | 0,00 | 34 |
| 15 | 201107 | 4032689086200 | Tilting plate | 0,00 | 36 |
| 16 | 204462 | 4032689160702 | Intermediate cover | 0,00 | 28 |
| 17 | 201111 | 4032689055695 | Bearing cover | 0,00 | 31 |
| 18 | 204189 | 4032689151175 | Segment for tilting, front | 0,00 | 32 |
| 19 | 204217 | 4032689154503 | | 0,00 | 18 |
| 20 | 204216 | 4032689154619 | Switch lever | 0,00 | 12 |
| 21 | 201115 | 4032689018034 | Cover | 0,00 | 21 |
| 22 | 201116 | 4032689115900 | Oil tank | 0,00 | 19 |
| 23 | 201136 | 4032689059846 | Air conducting ring | 0,00 | 13 |
| 24 | 032355 | 4032689059518 | Fan, upper | 0,00 | 10 |
| 25 | 204184 | 4032689151144 | Sliding bar | 0,00 | 6 |
| 26 | 201130 | 4032689079868 | Clamp | 0,00 | 3 |
| 27 | 203862 | 4032689154480 | Motor cover | 0,00 | 17 |
| 28 | 201745 | 4032689093604 | Locking lever | 0,00 | 4 |
| 29 | 204576 | 4032689160689 | | 0,00 | 12 |
| 30 | 201128 | 4032689000503 | Cover | 0,00 | 6 |
| 31 | 204595 | 4032689161372 | | 0,00 | 12 |
| 32 | 201140 | 4032689085180 | Guard flap | 0,00 | 13 |
| 33 | 201141 | 4032689085197 | Guard flap | 0,00 | 13 |

| hotspot | spare part number | EAN | name of spare part | price in € | Preis-schlüssel |
|---------|-------------------|---------------|--|------------|-----------------|
| 34 | 201151 | 4032689018348 | Covering ring | 0,00 | 7 |
| 36 | 201156 | 4032689083025 | Guard plate | 0,00 | 19 |
| 37 | 201740 | 4032689017846 | Sheet metal cover | 0,00 | 7 |
| 39 | 204587 | 4032689161334 | Riving knife 400 for 006972, 006971, 006974 | 0,00 | 99 |
| 40 | 204190 | 4032689160634 | Splinter guard | 0,00 | 10 |
| 41 | 204181 | 4032689151113 | Handle | 0,00 | 6 |
| 42 | 204182 | 4032689151120 | Indicator plate | 0,00 | 8 |
| 43 | 203729 | 4032689150789 | Setting wheel | 0,00 | 6 |
| 44 | 203860 | 4032689154190 | Handle insert | 0,00 | 9 |
| 45 | 201127 | 4032689092133 | Clamping nut | 0,00 | 13 |
| 46 | 201135 | 4032689039695 | Gear shaft | 0,00 | 30 |
| 47 | 201138 | 4032689016122 | Brake drum | 0,00 | 17 |
| 48 | 204585 | 4032689161310 | Sprocket 3/8" for 006971, 006974 | 0,00 | 99 |
| 49 | 201137 | 4032689019512 | Spacer sleeve | 0,00 | 8 |
| 50 | 201147 | 4032689114088 | | 0,00 | 7 |
| 52 | 204183 | 4032689151137 | Locking bolt | 0,00 | 13 |
| 53 | 204187 | 4032689151182 | | 0,00 | 8 |
| 54 | 204188 | 4032689151199 | Spacer sleeve | 0,00 | 8 |
| 55 | 201743 | 4032689120157 | Cylinder-head screw | 0,00 | 11 |
| 56 | 201123 | 4032689098876 | Bevel wheel | 0,00 | 34 |
| 57 | 201118 | 4032689073354 | Pinion | 0,00 | 31 |
| 58 | 201153 | 4032689115962 | Oil tank cap | 0,00 | 9 |
| 59 | 201131 | 4032689115870 | Oil tube | 0,00 | 8 |
| 62 | 201748 | 4032689087313 | Bowden cable, cpl. | 0,00 | 20 |
| 63 | 201144 | 4032689115825 | Oil pump, cpl. | 0,00 | 34 |
| 66 | 201142 | 4032689016733 | Bow handle | 0,00 | 22 |
| 67 | 005276 | 4032689040196 | Threaded pin | 0,00 | 3 |
| 69 | 053029 | 4032689127781 | Flat-head screw | 0,00 | 2 |
| 70 | 053020 | 4032689058146 | Counter-sunk oval-head screw | 0,00 | 1 |
| 71 | 055232 | 4032689082233 | Self-tapping screw | 0,00 | 1 |
| 73 | 055038 | 4032689120423 | Cylinder-head screw | 0,00 | 2 |
| 74 | 055062 | 4032689058108 | Self-tapping oval-head screw | 0,00 | 1 |

| hotspot | spare part number | EAN | name of spare part | price in € | Preis-schlüssel |
|---------|-------------------|---------------|-----------------------------|------------|-----------------|
| 75 | 055061 | 4032689058313 | Cylindrical oval-head screw | 0,00 | 1 |
| 76 | 055172 | 4032689120355 | Cylinder-head screw | 0,00 | 2 |
| 77 | 055074 | 4032689120454 | Cylinder-head screw | 0,00 | 1 |
| 78 | 055257 | 4032689160573 | | 0,00 | 1 |
| 79 | 005591 | 4032689120386 | Cylinder-head screw | 0,00 | 2 |
| 80 | 055091 | 4032689058351 | Cylindrical oval-head screw | 0,00 | 1 |
| 81 | 055101 | 4032689058597 | Oval-head screw | 0,00 | 1 |
| 84 | 055143 | 4032689058504 | Oval-head screw | 0,00 | 1 |
| 85 | 055118 | 4032689005034 | Shoulder screw | 0,00 | 2 |
| 88 | 057041 | 4032689151212 | Set screw | 0,00 | 2 |
| 89 | 066082 | 4032689021614 | Pressure spring | 0,00 | 3 |
| 90 | 066016 | 4032689098715 | Cup spring | 0,00 | 1 |
| 91 | 058068 | 4032689048840 | Ribbed nail | 0,00 | 1 |
| 92 | 058184 | 4032689120799 | cylindrical pin | 0,00 | 4 |
| 93 | 005999 | 4032689115290 | Locking nut | 0,00 | 1 |
| 94 | 061015 | 4032689078939 | Washer | 0,00 | 1 |
| 95 | 059008 | 4032689114224 | | 0,00 | 2 |
| 96 | 005970 | 4032689115214 | Locking nut | 0,00 | 1 |
| 97 | 005920 | 4032689113722 | | 0,00 | 1 |
| 98 | 005978 | 4032689114002 | | 0,00 | 1 |
| 99 | 059010 | 4032689052922 | Castel nut | 0,00 | 2 |
| 100 | 061110 | 4032689067469 | Shim ring | 0,00 | 1 |
| 101 | 061038 | 4032689079240 | Washer | 0,00 | 1 |
| 102 | 006102 | 4032689079233 | Washer | 0,00 | 1 |
| 103 | 006101 | 4032689079219 | Washer | 0,00 | 1 |
| 104 | 006114 | 4032689088716 | Locking washer | 0,00 | 1 |
| 106 | 007113 | 4032689088655 | Locking washer | 0,00 | 1 |
| 107 | 061154 | 4032689067568 | Shim ring | 0,00 | 1 |
| 108 | 061155 | 4032689067575 | Shim ring | 0,00 | 1 |
| 109 | 061156 | 4032689028576 | Federscheibe | 0,00 | 2 |
| 110 | 061157 | 4032689028583 | Federscheibe | 0,00 | 2 |
| 111 | 061013 | 4032689079073 | Washer | 0,00 | 1 |
| 112 | 006195 | 4032689088945 | Retaining ring | 0,00 | 1 |
| 113 | 007161 | 4032689089294 | Retaining ring | 0,00 | 1 |

| hotspot | spare part number | EAN | name of spare part | price in € | Preis-schlüssel |
|---------|-------------------|---------------|-------------------------------------|------------|-----------------|
| 114 | 006231 | 4032689053493 | Grooved ball bearing | 0,00 | 18 |
| 115 | 006260 | 4032689053769 | Grooved ball bearing | 0,00 | 18 |
| 116 | 006269 | 4032689053721 | Grooved ball bearing | 0,00 | 17 |
| 117 | 062073 | 4032689053905 | Grooved ball bearing | 0,00 | 15 |
| 119 | 065004 | 4032689066530 | Sealing ring | 0,00 | 1 |
| 120 | 006591 | 4032689066646 | Sealing ring | 0,00 | 1 |
| 121 | 006675 | 4032689098685 | Cup spring | 0,00 | 2 |
| 122 | 063157 | 4032689017013 | Brush holder | 0,00 | 12 |
| 123 | 063180 | 4032689160030 | Carbon brush with automatic cut-off | 0,00 | 13 |
| 125 | 065023 | 4032689031453 | Wing nut | 0,00 | 6 |
| 126 | 201872 | 4032689102412 | Pad | 0,00 | 2 |
| 127 | 029584 | 4032689048031 | Cable clamp | 0,00 | 1 |
| 129 | 076499 | 4032689074023 | Clamp | 0,00 | 3 |
| 130 | 086065 | 4032689048192 | Cable protecting sleeve | 0,00 | 2 |
| 131 | 065033 | 4032689066073 | Sealing ring | 0,00 | 1 |
| 132 | 076498 | 4032689105703 | Plug | 0,00 | 2 |
| 133 | 066112 | 4032689118130 | Retracting spring | 0,00 | 5 |
| 134 | 066114 | 4032689020761 | Torsion spring, left | 0,00 | 4 |
| 135 | 066115 | 4032689020785 | Torsion spring, right | 0,00 | 4 |
| 136 | 066043 | 4032689021393 | Pressure spring | 0,00 | 2 |
| 138 | 077622 | 4032689151205 | Angle scale | 0,00 | 10 |
| 140 | 085176 | 4032689154909 | Connecting cable | 0,00 | 3 |
| 141 | 087599 | 4032689108476 | 2-pole switch | 0,00 | 22 |
| 142 | 087612 | 4032689007250 | Mains cable 10 m (32.8 ft.) | 0,00 | 26 |
| 143 | 087808 | 4032689103662 | Connecting cable | 0,00 | 12 |
| 501 | 204591 | 4032689160849 | Parallel guide fence | 0,00 | 34 |
| 502 | 093272 | 4032689052182 | Combination screw driver | 0,00 | 9 |

contact

MAFELL AG

Beffendorfer Straße 4
D-78727 Oberndorf / Neckar
Germany

Tel.: +49 7423 / 812-114
Fax: +49 7423 812-102
Email: export@mafell.de