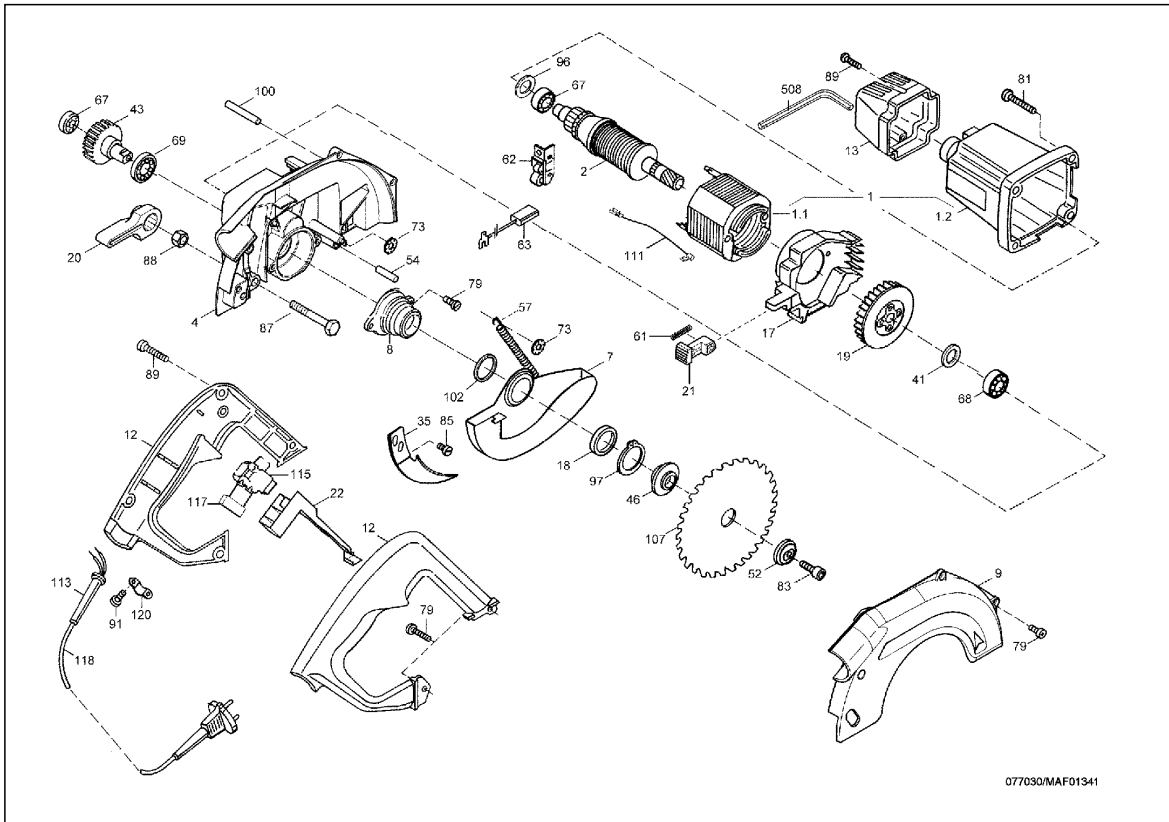
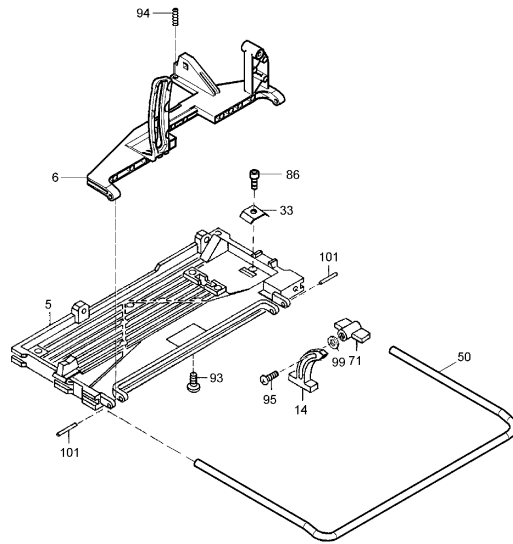


Portable Circular Saw MS 55





077030MAFD1236

hotspot	spare part number	EAN	name of spare part	price in €	Preis-schlüssel
1	084542	4032689133584	Motor casing with inductor	0,00	32
1.1	084540	4032689133591	Inductor with coil	0,00	28
1.2	202045	4032689133775	Motor casing, empty	0,00	21
2	088116	4032689003597	Armature, balanced	0,00	36
4	203211	4032689133607	Gear casing	0,00	32
5	201432	4032689042268	Base plate	0,00	29
6	203212	4032689133621	Tilting support	0,00	24
7	201439	4032689084121	Protective cover	0,00	25
8	203209	4032689133645	Gear casing cover	0,00	19
9	203213	4032689133652	Protective cover	0,00	22
12	202741	4032689041773	Handle shells (pair)	0,00	17
13	200183	4032689062969	Motor cover	0,00	11
14	200009	4032689086545	Segment for tilting	0,00	10
17	200013	4032689059808	Air conducting ring	0,00	10
18	200048	4032689047287	Sleeve	0,00	3
19	200015	4032689059488	Fan	0,00	7
20	039806	4032689091952	Tensioning lever	0,00	7
21	202436	4032689008288	Locking bolt	0,00	2
22	201434	4032689077260	Switch trigger	0,00	7
33	200050	4032689092478	Clamping claws	0,00	3
35	202580	4032689090337	Riving knife/splitter	0,00	10
41	201159	4032689019802	Spacer ring	0,00	6
43	200032	4032689076249	Saw shaft	0,00	27
46	200038	4032689030951	Flange, rear	0,00	15
50	203208	4032689133676	Guide bow	0,00	12
52	200037	4032689031361	Flange, front	0,00	5
54	203207	4032689133683	Stop buffer	0,00	3
57	066091	4032689118062	Retracting spring	0,00	4
61	006657	4032689021843	Pressure spring	0,00	1
62	063160	4032689132631	Brush holder	0,00	7
63	063164	4032689132709	Carbon brush with automatic cut-off	0,00	11
67	006282	4032689053615	Grooved ball bearing	0,00	16
68	006288	4032689053448	Grooved ball bearing	0,00	15

hotspot	spare part number	EAN	name of spare part	price in €	Preis-schlüssel
69	062065	4032689053998	Grooved ball bearing	0,00	18
71	007996	4032689031514	Wing nut	0,00	5
73	061069	4032689093697	Locking washer	0,00	1
79	055232	4032689082233	Self-tapping screw	0,00	1
81	055230	4032689082226	Self-tapping screw	0,00	1
83	055096	4032689120089	Cylinder-head screw	0,00	1
85	055234	4032689119984	Cylinder-head screw	0,00	1
86	005536	4032689120003	Cylinder-head screw	0,00	1
87	056023	4032689136035	Hexagon-head screw	0,00	3
88	005978	4032689114002		0,00	1
89	055061	4032689058313	Cylindrical oval-head screw	0,00	1
91	055233	4032689058320	Cylindrical oval-head screw	0,00	1
93	053029	4032689127781	Flat-head screw	0,00	2
94	005284	4032689039947	Threaded pin	0,00	2
95	005718	4032689029368	Truss-head screw	0,00	1
96	061132	4032689028569	Federscheibe	0,00	2
97	061138	4032689089201	Retaining ring	0,00	2
99	006101	4032689079219	Washer	0,00	1
100	058201	4032689133690	cylindrical pin	0,00	2
101	058164	4032689094120	Spiral dowel sleeve	0,00	1
102	061179	4032689133706	Washer	0,00	2
107	092539	4032689075488	TCT saw blade	0,00	99
111	085155	4032689133713	Connecting cable	0,00	5
113	086064	4032689048185	Cable protecting sleeve	0,00	2
115	087828	4032689010977	2-pole switch with lock-off button	0,00	13
117	076973	4032689097503	Interference suppression capacitor	0,00	6
118	087323	4032689007199	Mains cable 4 m (13.1 ft)	0,00	21
120	029584	4032689048031	Cable clamp	0,00	1
508	093034	4032689115115	Allen key	0,00	2

contact

MAFELL AG

Beffendorfer Straße 4
D-78727 Oberndorf / Neckar
Germany

Tel.: +49 7423 / 812-114
Fax: +49 7423 812-102
Email: export@mafell.de