

FinishPro® 32 16 ga. Finish Nailer

REPLACEMENT PARTS LIST • LISTA DE PARTES DE REPUESTO • ERSATSTEILE-LISTE • LISTE DE PIÈCES DE RECHANGE

SENCO®

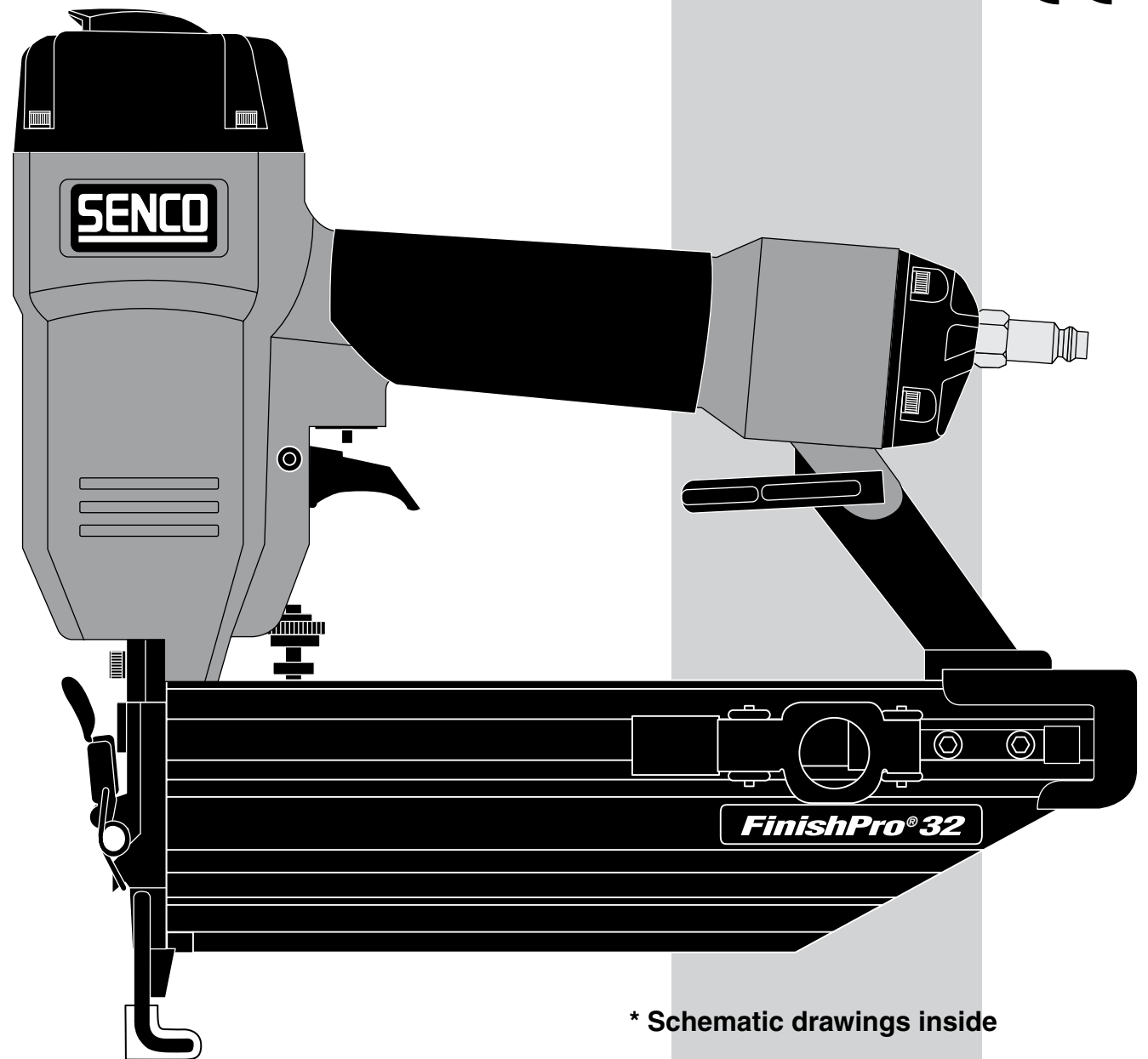
| PART NO. | DESCRIPTION | DESCRIPCIÓN | BESCHREIBUNG | DÉSIGNATION |
|----------|-------------------------------|---------------------------|-----------------------------------|------------------------------|
| AB0087 | BELT HOOK | GANCHO DE CINTURÓN | GURTHAKEN | CROCHET DE CEINTURE |
| BA0154 | DEFLECTOR ASY | ASAMBLE DE DESVIADOR | ABWEISER-ZUSAMMENBAU | ENSEMBLE DÉFLECTEUR |
| BA0155 | FIRING VALVE ASY | ASAMBLE DE VÁLVULA | VENTIL-ZUSAMMENBAU | ENSEMBLE VALVE |
| BA0156 | SLEEVE, CYLINDER ASY | ASAMBLE DE CILINDRO | ZYLINDER-ZUSAMMENBAU | ENSEMBLE CYLINDRE |
| BA0157 | CAP ASY | ASAMBLE DE TAPA | KAPPE-ZUSAMMENBAU | ENSEMBLE BOUCHON |
| BC0392 | RETAINER | JUNTA TÓRICA | SICHERUNGSRING | RETENUE |
| BC0393 | SEAL | SELLO | DICHTUNG | JOINT |
| BC0417 | MUFFLER | SILENCIADOR | DÄMPFER | SILENCIEUX |
| BC0418 | PISTON STOP | AMORTIGUADOR | PUFFER | AMORTISSEUR |
| BC0419 | SPACER | ARANDELA | SCHEIBE | RONDELLE |
| BC0420 | SPACER | ARANDELA | SCHEIBE | RONDELLE |
| BF0246 | FIRING VALVE WASHER | ARANDELA | SCHEIBE | RONDELLE |
| CB0038 | TRIGGER VALVE ASY | ASAMBLE DE VÁLVULA | VENTIL-ZUSAMMENBAU | VALVE D'ASSEMBLÉE |
| EA0156 | PISTON ASY | ASAMBLE DE PISTON | KOLBEN-ZUSAMMENBAU | ENSEMBLE PISTON-COUTEAU |
| EA0166 | PISTON ASY | ASAMBLE DE PISTON | KOLBEN-ZUSAMMENBAU | ENSEMBLE PISTON-COUTEAU |
| FA0237 | FRONT PLATE ASY | ASAMBLE DE PLACA DE NARIZ | NAGELFÜHRUNG-ZUSAMMENBAU | ENSEMBLE FRONT |
| FA0238 | FRONT PLATE ASY | ASAMBLE DE PLACA DE NARIZ | NAGELFÜHRUNG-ZUSAMMENBAU | ENSEMBLE FRONT |
| FB0144 | LATCH ASY | ASAMBLE DE UÑETA | VERSCHLUSS | DOIGT DE RETENUE |
| FC0486 | DRIVER SEAL | SELLO | DICHTUNG | JOINT |
| FC0487 | GUIDEBODY | GUÍA | FÜHRUNG | GUIDE |
| FC0488 | LATCH ASY | ASAMBLE DE UÑETA | VERSCHLUSS | DOIGT DE RETENUE |
| FC0490 | DRIVER SEAL | SELLO | DICHTUNG | JOINT |
| FC0491 | GUIDEBODY | GUÍA | FÜHRUNG | GUIDE |
| GA0453 | MAGAZINE (US -OLD STYLE) | CARGADOR | MAGAZIN | MAGASIN |
| GA0454 | MAGAZINE (EURO -OLD STYLE) | CARGADOR | MAGAZIN | MAGASIN |
| GA0455 | FEEDER SHOE ASY | ASAMBLE DE ALIMENTADOR | NAGELSCHIEBER-ZUSAMMENBAU | ENSEMBLE POUSSOIR |
| GA0456 | END CAP ASY | ASAMBLE DE TAPA TERMINAL | ABSCHLUßKAPPE-ZUSAMMENBAU | BOUCHON D'EXTRÉMITÉ DE RAIL |
| GA0510 | MAGAZINE (US -NEW STYLE) | CARGADOR | MAGAZIN | MAGASIN |
| GA0511 | MAGAZINE (EURO -NEW STYLE) | CARGADOR | MAGAZIN | MAGASIN |
| GC0901 | WHEEL GUIDE | GUÍA | FÜHRUNG | GUIDE |
| GC0902 | RETAINER | JUNTA TÓRICA | SICHERUNGSRING | RETENUE |
| GC0934 | PLATE | PLACA | PLATTE | PLAQUE |
| GC0935 | MAGAZINE SUPPORT | SOPORTE | HALTERUNG | CAVALIER |
| GC0936 | COVER | CUBIERTA | ABDECKUNG | COUVERCLE |
| GC0937 | COVER | CUBIERTA | ABDECKUNG | COUVERCLE |
| HA0153 | SAFETY ELEMENT ASY | ASAMBLE DE SEGURO | SICHERHEITSVORRICHTUN-ZUSAMMENBAU | ENSEMBLE PALPEUR DE SÉCURITÉ |
| HA0154 | SAFETY ELEMENT ASY | ASAMBLE DE SEGURO | SICHERHEITSVORRICHTUN-ZUSAMMENBAU | ENSEMBLE PALPEUR DE SÉCURITÉ |
| HB0303 | TRIGGER ASY (CONTACT ACT.) | ASAMBLE DE GATILLO | AUSLÖSER-ZUSAMMENBAU | ENSEMBLE GÂCHETTE |
| HB0304 | TRIGGER ASY (SINGLE SEQUENT.) | ASAMBLE DE GATILLO | AUSLÖSER-ZUSAMMENBAU | ENSEMBLE GÂCHETTE |
| HB0305 | TRIGGER ASY (CONTACT ACT.) | ASAMBLE DE GATILLO | AUSLÖSER-ZUSAMMENBAU | ENSEMBLE GÂCHETTE |
| HB0306 | TRIGGER ASY (SINGLE SEQUENT.) | ASAMBLE DE GATILLO | AUSLÖSER-ZUSAMMENBAU | ENSEMBLE GÂCHETTE |
| HC0382 | PIN | PASADOR | STIFT | GOUPILLE |
| HC0395 | SPRING RETAINER | JUNTA TÓRICA | SICHERUNGSRING | RETENUE |
| HC0396 | NO-MAR PAD | AMORTIGUADOR | SCHUTZ | COUSSIN |
| HC0397 | RELEASE CATCH B. | GUÍA | FÜHRUNG | GUIDE |
| HC0398 | CATCH GUIDE PLATE | GUÍA | FÜHRUNG | GUIDE |
| HC0399 | ADJUSTMENT WHEEL | MANIVELA | RÄNDELSCHRAUBE | MOLETTE |
| HC0401 | NO-MAR PAD | AMORTIGUADOR | SCHUTZ | COUSSIN |
| HG0180 | SAFETY LABEL (US) | ETIQUETA | AUFKLEBER | ÉTIQUETTE |
| HG0181 | SAFETY LABEL (CE) | ETIQUETA | AUFKLEBER | ÉTIQUETTE |
| KB0020 | SCREW | TORNILLO | SCHRAUBE | VIS |
| KB2968 | WASHER | ARANDELA | SCHEIBE | RONDELLE |
| KB3588 | SCREW | TORNILLO | SCHRAUBE | VIS |
| KB3589 | SCREW | TORNILLO | SCHRAUBE | VIS |
| KB3590 | SCREW | TORNILLO | SCHRAUBE | VIS |
| KB3591 | SCREW | TORNILLO | SCHRAUBE | VIS |
| KB3592 | WASHER | ARANDELA | SCHEIBE | RONDELLE |
| KB3593 | PIN | PASADOR | STIFT | GOUPILLE |
| KB3594 | PIN | PASADOR | STIFT | GOUPILLE |
| KB3595 | PIN | PASADOR | STIFT | GOUPILLE |
| KB4357 | FEEDER SPRING | RESORTE | FEDER | RESSORT |
| KB4359 | SPRING | RESORTE | FEDER | RESSORT |
| KB4360 | SPRING | RESORTE | FEDER | RESSORT |
| KB9825 | SCREW | TORNILLO | SCHRAUBE | VIS |
| KB9826 | SCREW | TORNILLO | SCHRAUBE | VIS |
| KB9832 | SCREW | TORNILLO | SCHRAUBE | VIS |
| KB9837 | NUT | TUERCA | MUTTER | ÉCROU |
| KB9838 | WASHER | ARANDELA | SCHEIBE | RONDELLE |
| KB9839 | WASHER | ARANDELA | SCHEIBE | RONDELLE |
| LB0958 | SEAL | SELLO | DICHTUNG | JOINT |
| LB0964 | SEAL | SELLO | DICHTUNG | JOINT |
| LB0965 | SEAL | SELLO | DICHTUNG | JOINT |
| LB0966 | SEAL | SELLO | DICHTUNG | JOINT |
| LB0967 | SEAL | SELLO | DICHTUNG | JOINT |
| LB0968 | SEAL | SELLO | DICHTUNG | JOINT |
| LB0969 | SEAL | SELLO | DICHTUNG | JOINT |
| LB0970 | GASKET | SELLO | DICHTUNG | JOINT |
| LB0971 | GASKET | SELLO | DICHTUNG | JOINT |

FinishPro® 32

16 ga. Finish Nailer



Parts Reference Guide



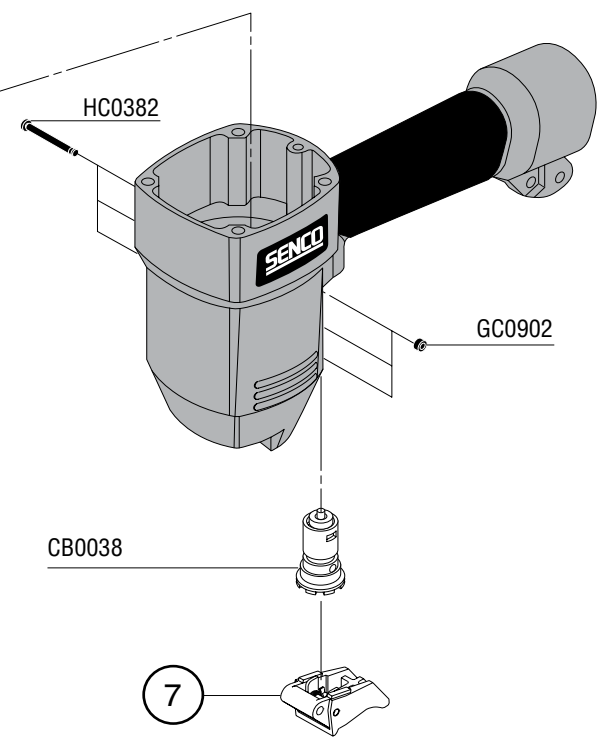
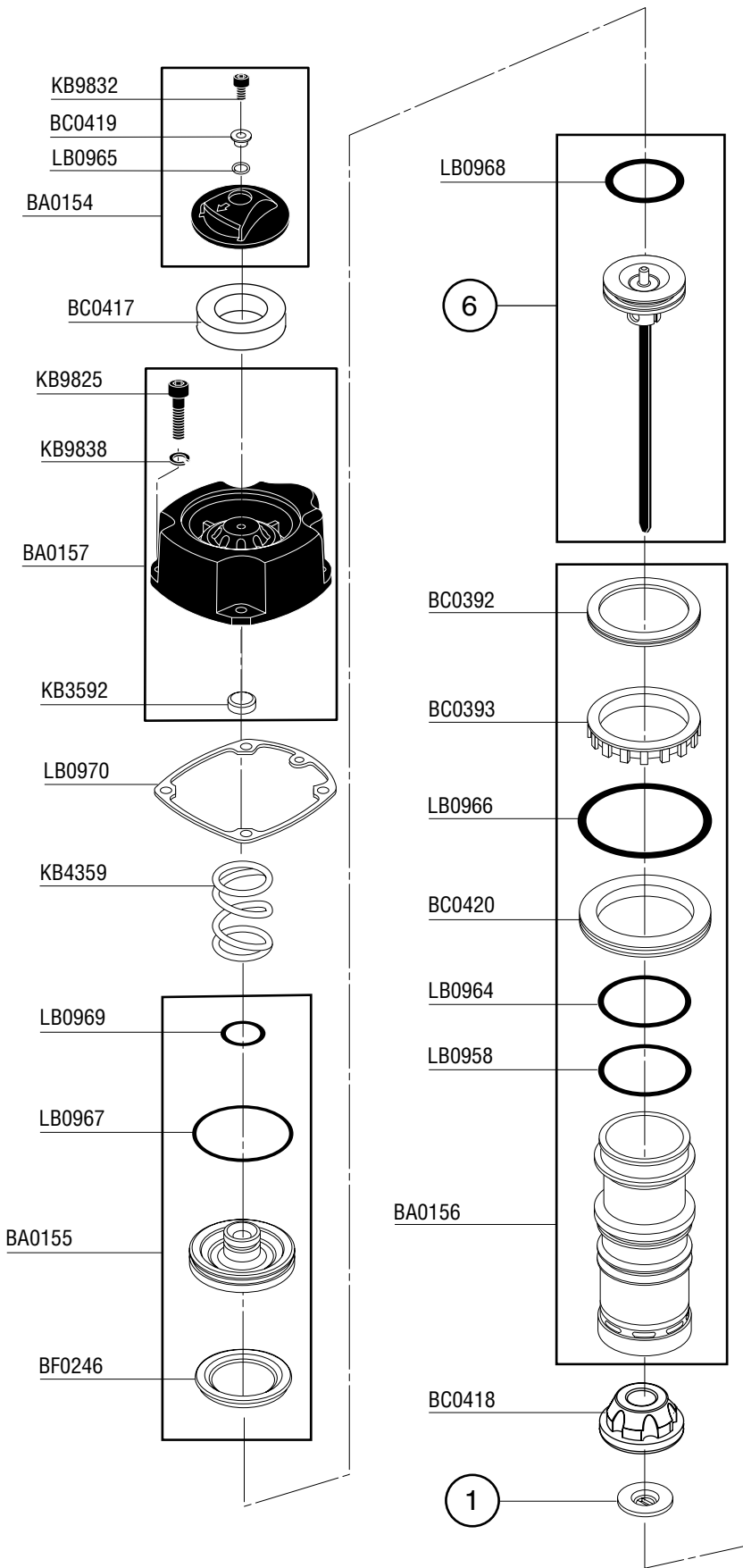
* Schematic drawings inside

Questions? Comments? call SENCO's toll-free Action-line: 1-800-543-4596 (North & South America only) or e-mail: toolprof@senco.com

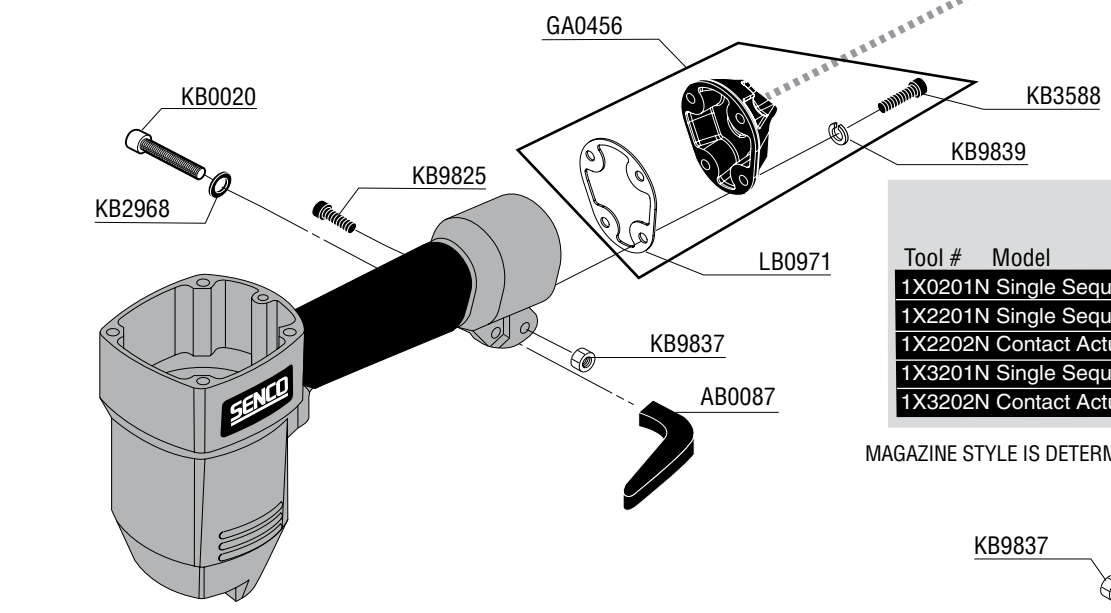
Senco Products Inc.
8485 Broadwell Road
Cincinnati, Ohio 45244
Visit Our Website: www.senco.com

Questions? Comments? call SENCO's toll-free Action-line:
1-800-543-4596 (North and South America Only)
or e-mail: toolprof@senco.com

NFG01X Revised September 13, 2007 (Replaces 9/27/06) © 2002, 2007 by SENCO Products, Inc. Cincinnati, Ohio 45244 - U.S.A.

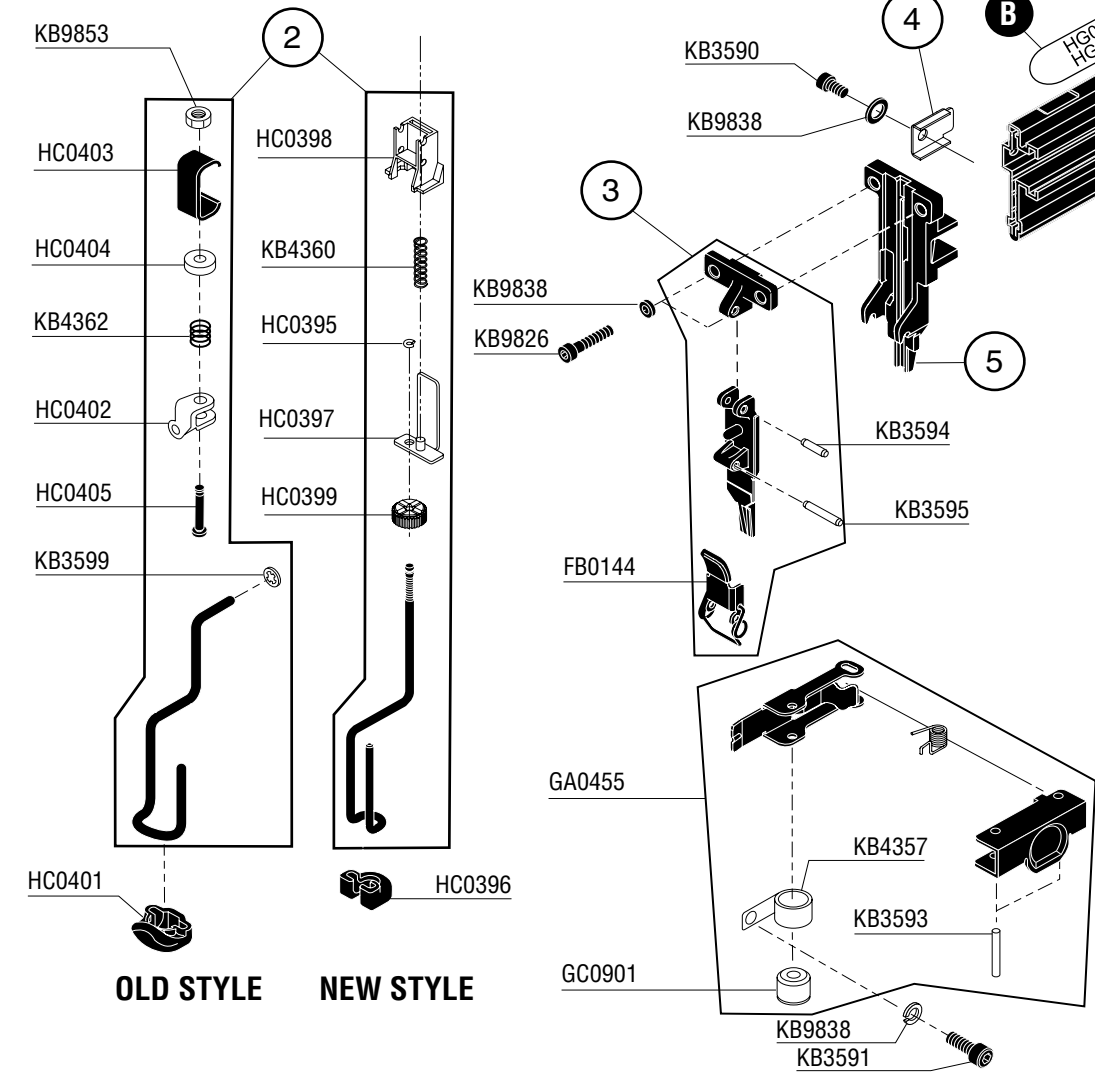


| | OLD STYLE | NEW STYLE |
|-------------------|-----------|-----------|
| 1 | FC0490 | FC0486 |
| 2 | HA0154 | HA0153 |
| 3 | FA0238 | FA0237 |
| 4 | GC0937 | GC0936 |
| 5 | FC0491 | FC0487 |
| 6 | EA0156 | EA0166 |
| 7 | OLD STYLE | NEW STYLE |
| Single Sequential | HB0306 | HB0304 |
| Contact Actuation | HB0305 | HB0303 |



| Tool # | Model | A | | B |
|---------|-------------------|-----------|-----------|--------|
| | | OLD STYLE | NEW STYLE | |
| 1X0201N | Single Sequential | GA0453 | GA0510 | HG0180 |
| 1X2201N | Single Sequential | GA0454 | GA0511 | HG0181 |
| 1X2202N | Contact Actuation | GA0454 | GA0511 | HG0181 |
| 1X3201N | Single Sequential | GA0453 | GA0510 | HG0180 |
| 1X3202N | Contact Actuation | GA0453 | GA0510 | HG0180 |

MAGAZINE STYLE IS DETERMINED BY STYLE OF SAFETY ELEMENT (ITEM #2)



Available Plugs
(Not Included with Tool)

- PC0479 ✓
1/4" Body
Ind. Interchange 1/4" NPT
- PC0486
3/8" Body
Ind. Interchange 1/4" NPT
- PC0468 ✓
1/4" Body
Tru-Flate 1/4" NPT
- PC0474
3/8" Body
Tru-Flate 1/4" NPT

✓ **Recommended Plugs**
Plugs shown smaller than actual size