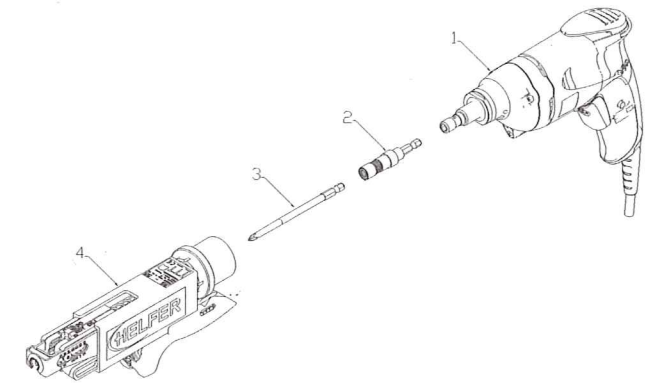
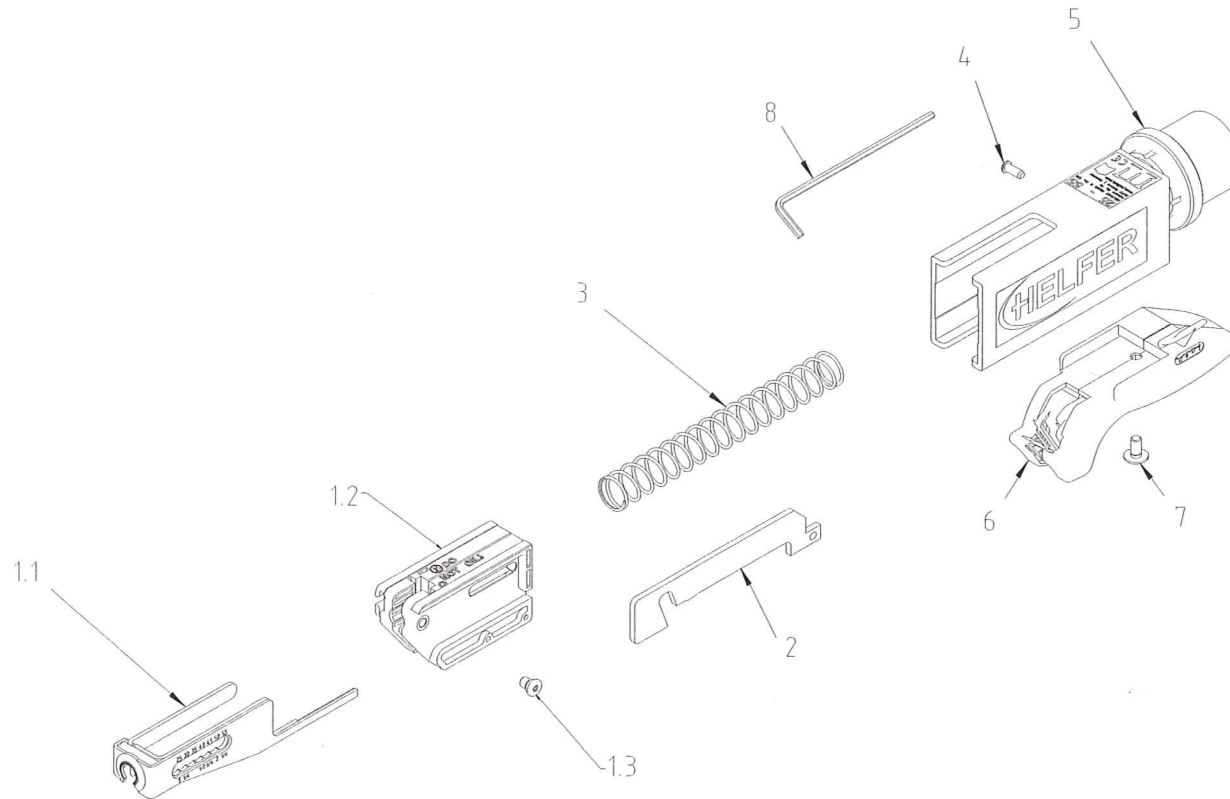


Ersatzteile 55

Spare Parts 55

Assembly 55



Assembly BOSCH:

1. Use the additional 65 mm bit holder.
2. Put the bit (3) in the bit holder (2).
3. Put the magazin (4) onto the motor (1).

Assembly DEWALT:

1. Use the additional 75 mm bit holder.
2. Put the bit (3) in the bit holder „L“ (2).
3. Put the magazin (4) onto the motor (1).

Assembly MAKITA:

1. Use the additional bit holder „M“.
2. Put the bit (3) in the bit holder (2).
3. Put the magazin (4) onto the motor (1).

Assembly HITACHI:

1. Use the additional bit holder „M“.
2. Put the bit (3) in the bit holder (2).
3. Put the magazin (4) onto the motor (1).

Assembly FEIN:

1. Use the 140 mm bit **without** any bit holder.
2. Put the bit (3) in motor (1).
3. Put the magazin (4) onto the motor (1).

Assembly METABO:

1. Use the 120 mm bit **without** any bit holder.
2. Put the bit (3) in motor (1).
3. Put the magazin (4) onto the motor (1).

1.1	BGH0005	Anschlag 25—55
1.2	EXH0002	Gleitstück 25 - 55
1.3	KFH0001	Anschlagschraube
2	HAH0002	Leiste Helfer 55
3	NFH0002	D-Feder 45-55
4	NBH0002	Bolzen mit Kopf
5	CXH0010	Gehäuse 55 komplett BOSCH
5	CXH0011	Gehäuse 55 komplett DEWALT
5	CXH0012	Gehäuse 55 komplett MAKITA
5	CXH0013	Gehäuse 55 komplett HITACHI
6	BCH0001	Handgriff mit Gurtführung
7	NAH0007	Flachkopfschraube
8	BZH0003	Winkelschraubendreher
	BMH0001	Kunststoffkoffer, klein
	BEH0002	Bit PH2120
	BEH0004	Bit PZ2120

1.1	BGH0005	Depth Stop 1" - 2"
1.2	EXH0002	Sliding Block 1" - 2"
1.3	KFH0001	Depth Stop Screw
2	HAH0002	Cam Helfer 55
3	NFH0002	Spring 45-55
4	NBH0002	Clevis pin
5	CXH0010	Housing 55 Complete BOSCH
5	CXH0011	Housing 55 Complete DEWALT
5	CXH0012	Housing 55 Complete MAKITA
5	CXH0013	Housing 55 Complete HITACHI
6	BCH0001	Handle with Belt Guide
7	NAH0007	Flatheadscrew
8	BZH0003	Allen Key
	BMH0001	Plastic Case, Small
	BEH0002	Bit PH2120
	BEH0004	Bit PZ2120