

SNS45XP



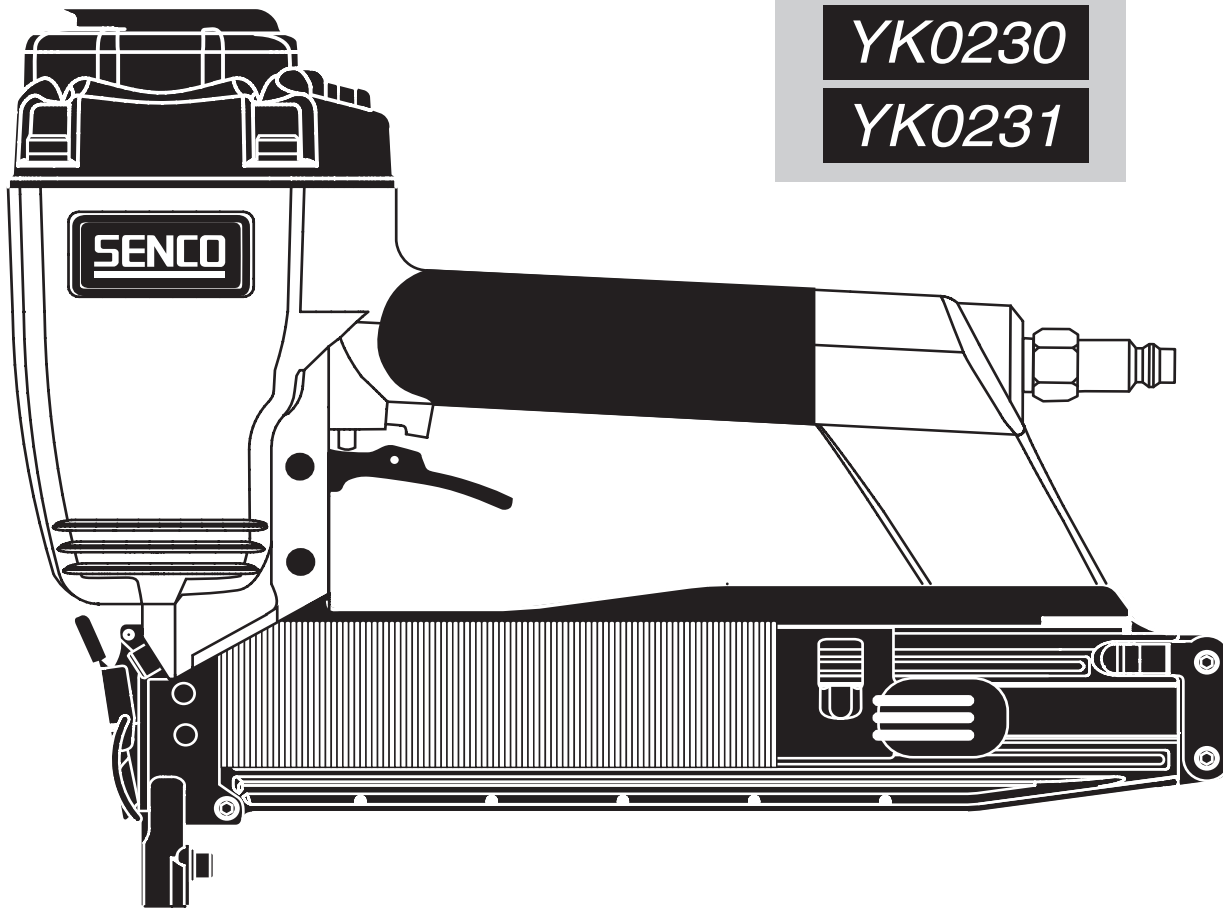
Parts Reference Guide



Repair Kits

YK0230

YK0231



*** Schematic drawings inside**

NFG058 Revised June 19, 2012 (Replaces 2/16/12) © 2012 by SENCO Brands, Inc. Cincinnati, Ohio 45245 - U.S.A.

Senco Brands Inc.
4270 Ivy Pointe Blvd.
Cincinnati, Ohio 45245
Visit Our Website: www.senco.com
EMEA Website: www.senco-emea.com

Questions? Comments? call SENCO's toll-free Action-line:
1-800-543-4596 or e-mail: toolprof@senco.com

SNS45XP

SENCO®

KB3422

BC0310

BF0179

KB0067

KB5301

AC0326

AC0144

LB0126

BC0376*

LB0863

BF0142

BF0156

BF0188*

LB0865

LB0864

BF0154

LB0089

LB3505

BC0369*

LB0132

LB0132

LB0858

LB0034

A*

BB0152

LB0012

CB0032*

LB0015

CF0035

LB0057

KC0062

AB0078

KB3239

KB0067

KB3420

FC0297

KB3225

FA0201

LB0012

CB0032*

LB0015

CF0035

LB0057

LB0056

FA0186

FA0203
enclosed
10-FA0202

HF0035

KC0055

KC0055

HC0242

HC0242

KB0161

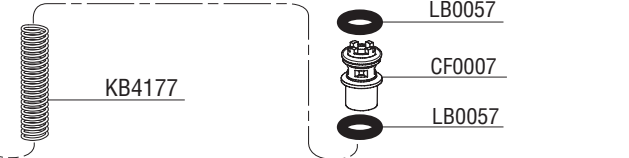
KB3311

HC0238

Tool #	Model	A*		
580101N	Contact Actuation	EA0113	1/8"	CSK
582001N	Contact Actuation	EA0113	1/8"	CSK
580102N	Single Sequential	EA0113	1/8"	CSK
582002N	Single Sequential	EA0113	1/8"	CSK
580103N	Contact Actuation w/Case	EA0113	1/8"	CSK
582003N	Contact Actuation w/Case	EA0113	1/8"	CSK
580004N	Single Sequential w/Case	EA0113	1/8"	CSK
582004N	Single Sequential w/Case	EA0113	1/8"	CSK

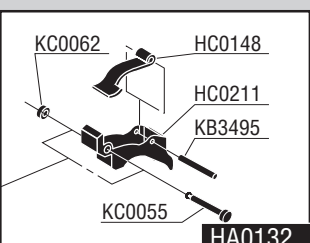
OPTIONAL

EA0114 3/16" CSK

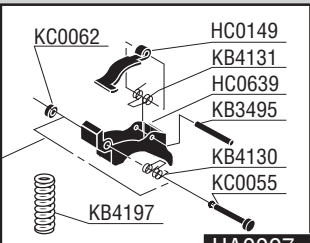


- * Does Not Include O-rings
- * No incluye sellos de gomas
- * Ohne Dichtringe
- * Joints exclus

Available Triggers



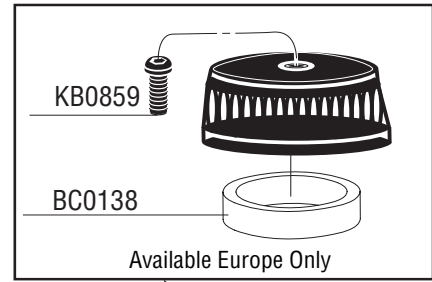
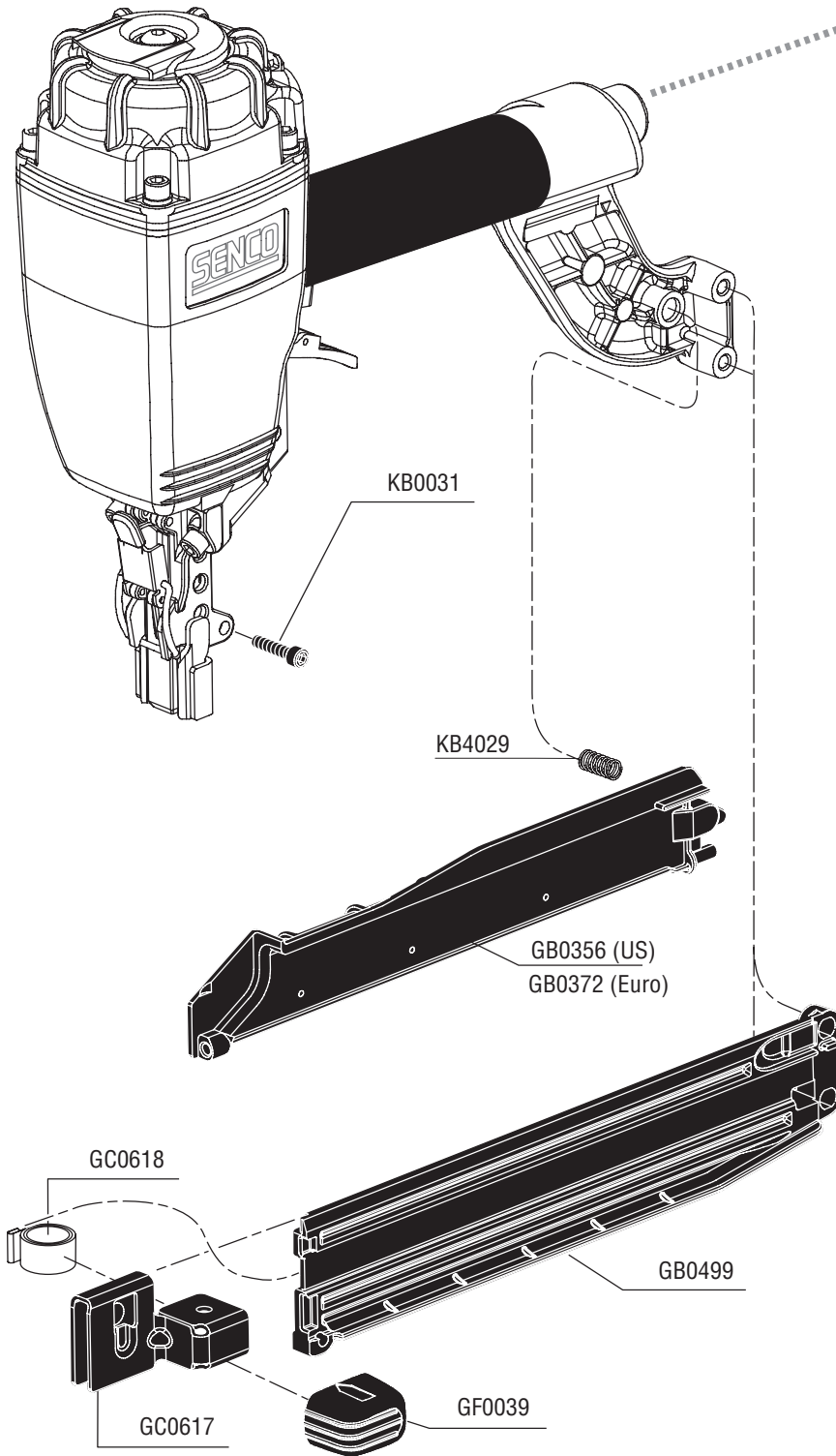
Contact Actuation



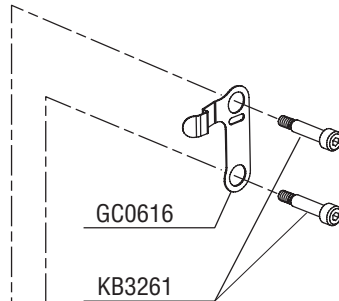
Single Sequential

SNS45XP

SENCO[®]



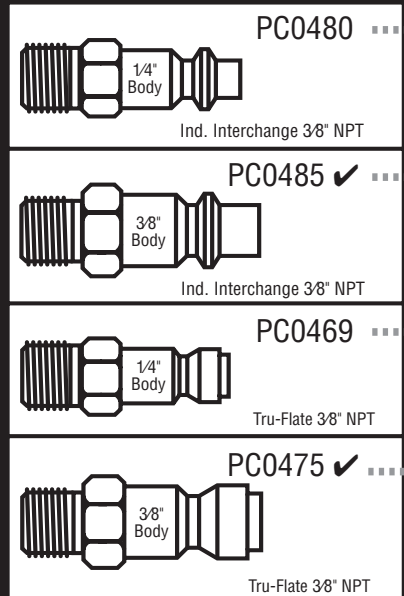
BA0143



GC0616

KB3261

Available Plugs (Not Included with Tool)



✓ **Recommended Plugs**
Plugs shown smaller than actual size

PART NO.	DESCRIPTION	DESCRIPCIÓN	BESCHREIBUNG	DÉSIGNATION
AB0078	MAIN BODY	CARCASA	GEHÄUSE	CORPS
AC0144	SEAL	SELLO	DICHTUNG	JOINT
AC0326	CAP	TAPA	KAPPE	BOUCHON
BA0143	DEFLECTOR ASY (EUROPE)	DESVIADOR	ABWEISER	DÉFLECTEUR
BB0152	STOP	TOPE	PUFFER	ARRÊT
BC0138	MUFFLER (EUROPE)	SILENCIADOR	DÄMPFER	SILENCIEUX
BC0310	BUSHING	CASQUILLO	HÜLSE	DOUILLE
BC0369	CYLINDER	CILINDRO	ZYLINDER	CYLINDRE
BC0376	VALVE	VÁLVULA	VENTIL	VALVE
BF0142	SEAL	SELLO	DICHTUNG	JOINT
BF0154	SEAL	SELLO	DICHTUNG	JOINT
BF0156	BUMPER	AMORTIGUADOR	PUFFER	AMORTISSEUR
BF0179	DEFLECTOR	DESVIADOR	ABWEISER	DÉFLECTEUR
BF0188	VALVE	VÁLVULA	VENTIL	VALVE
CB0032	CORE	VÁSTAGO	VENTILSTIFT	NOYAU
CF0007	HOUSING	ALOJAMIENTO	GEHÄUSE	CORPS
CF0035	HOUSING	ALOJAMIENTO	GEHÄUSE	CORPS
EA0113	PISTON ASSEMBLY	ASAMBLE DE PISTON	KOLBEN-ZUSAMMENBAU	ENSEMBLE PISTON-COUTEAU
EA0114	PISTON ASSEMBLY	ASAMBLE DE PISTON	KOLBEN-ZUSAMMENBAU	ENSEMBLE PISTON-COUTEAU
FA0186	GUIDEBODY	PLACA DE NARIZ	KLAMMERFÜHRUNG	FRONT
FA0201	LATCH ASSEMBLY	ASAMBLE DE UÑETA	VERSCHLUSS-ZUSAMMENBAU	DOIGT DE RETENUE D'ASSEMBLÉE
FA0202	INSERT	ACOPLAMIENTO	EINSATZ	INSERT
FA0203	INSERT (10)	ACOPLAMIENTO (10)	EINSTATZ (10)	INSERT (10)
FC0297	DOOR	PUERTA	ABDECKSCHIEBER	PORTE
GB0356	DOOR (US)	PUERTA	ABDECKSCHIEBER	PORTE
GB0372	DOOR (EUROPE)	PUERTA	ABDECKSCHIEBER	PORTE
GC0616	LATCH	UÑETA	VERSCHLUSS	DOIGT DE RETENUE
GC0617	FEEDER SHOE	ALIMENTADOR	NAGELSCHIEBER	POUSSOIR
GC0618	SPRING	RESORTE	FEDER	RESSORT
GB0499	MAGAZINE	CARGADOR	MAGAZIN	MAGASIN
GF0039	COVER	CUBIERTA	ABDECKUNG	COUVERCLE
HA0097	TRIGGER ASSEMBLY	ASAMBLE DE GATILLO	AUSLÖSER-ZUSAMMENBAU	GÂCHETTE D'ASSEMBLÉE
HA0132	TRIGGER ASSEMBLY	ASAMBLE DE GATILLO	AUSLÖSER-ZUSAMMENBAU	GÂCHETTE D'ASSEMBLÉE
HC0148	TRIGGER	GATILLO	AUSLÖSER	GÂCHETTE
HC0149	TRIGGER	GATILLO	AUSLÖSER	GÂCHETTE
HC0211	TRIGGER	GATILLO	AUSLÖSER	GÂCHETTE
HC0238	SAFETY ELEMENT	SEGURO	SICHERHEITSVORRICHTUNG	PALPEUR DE SÉCURITÉ
HC0242	SAFETY ELEMENT	SEGURO	SICHERHEITSVORRICHTUNG	PALPEUR DE SÉCURITÉ
HC0639	TRIGGER	GATILLO	AUSLÖSER	GÂCHETTE
HF0035	COVER	CUBIERTA	ABDECKUNG	COUVERCLE
KB0031	SCREW	TORNILLO	SCHRAUBE	VIS
KB0067	SCREW	TORNILLO	SCHRAUBE	VIS
KB0161	SCREW	TORNILLO	SCHRAUBE	VIS
KB0859	SCREW	TORNILLO	SCHRAUBE	VIS
KB3225	PIN	PASADOR	STIFT	GOUPILLE
KB3239	PIN	PASADOR	STIFT	GOUPILLE
KB3261	SCREW	TORNILLO	SCHRAUBE	VIS
KB3311	WASHER	ARANDELA	SCHIBE	RONDELLE
KB3420	SCREW	TORNILLO	SCHRAUBE	VIS
KB3422	SCREW	TORNILLO	SCHRAUBE	VIS
KB3495	PIN	PASADOR	STIFT	GOUPILLE
KB4029	SPRING	RESORTE	FEDER	RESSORT
KB4130	SPRING	RESORTE	FEDER	RESSORT
KB4131	SPRING	RESORTE	FEDER	RESSORT
KB4177	SPRING	RESORTE	FEDER	RESSORT
KB4197	SPRING	RESORTE	FEDER	RESSORT
KB5301	WASHER	ARANDELA	SCHIBE	RONDELLE
KC0055	PIN	PASADOR	STIFT	GOUPILLE
KC0062	RETAINER	RETÉN	SICHERUNGSRING	RETENUE
LB0012	SEAL	SELLO	DICHTUNG	JOINT
LB0015	SEAL	SELLO	DICHTUNG	JOINT
LB0034	SEAL	SELLO	DICHTUNG	JOINT
LB0056	SEAL	SELLO	DICHTUNG	JOINT
LB0057	SEAL	SELLO	DICHTUNG	JOINT
LB0089	SEAL	SELLO	DICHTUNG	JOINT
LB0126	SEAL	SELLO	DICHTUNG	JOINT
LB0132	SEAL	SELLO	DICHTUNG	JOINT
LB0858	SEAL	SELLO	DICHTUNG	JOINT
LB0863	SEAL	SELLO	DICHTUNG	JOINT
LB0864	SEAL	SELLO	DICHTUNG	JOINT
LB0865	SEAL	SELLO	DICHTUNG	JOINT
LB3505	SEAL	SELLO	DICHTUNG	JOINT