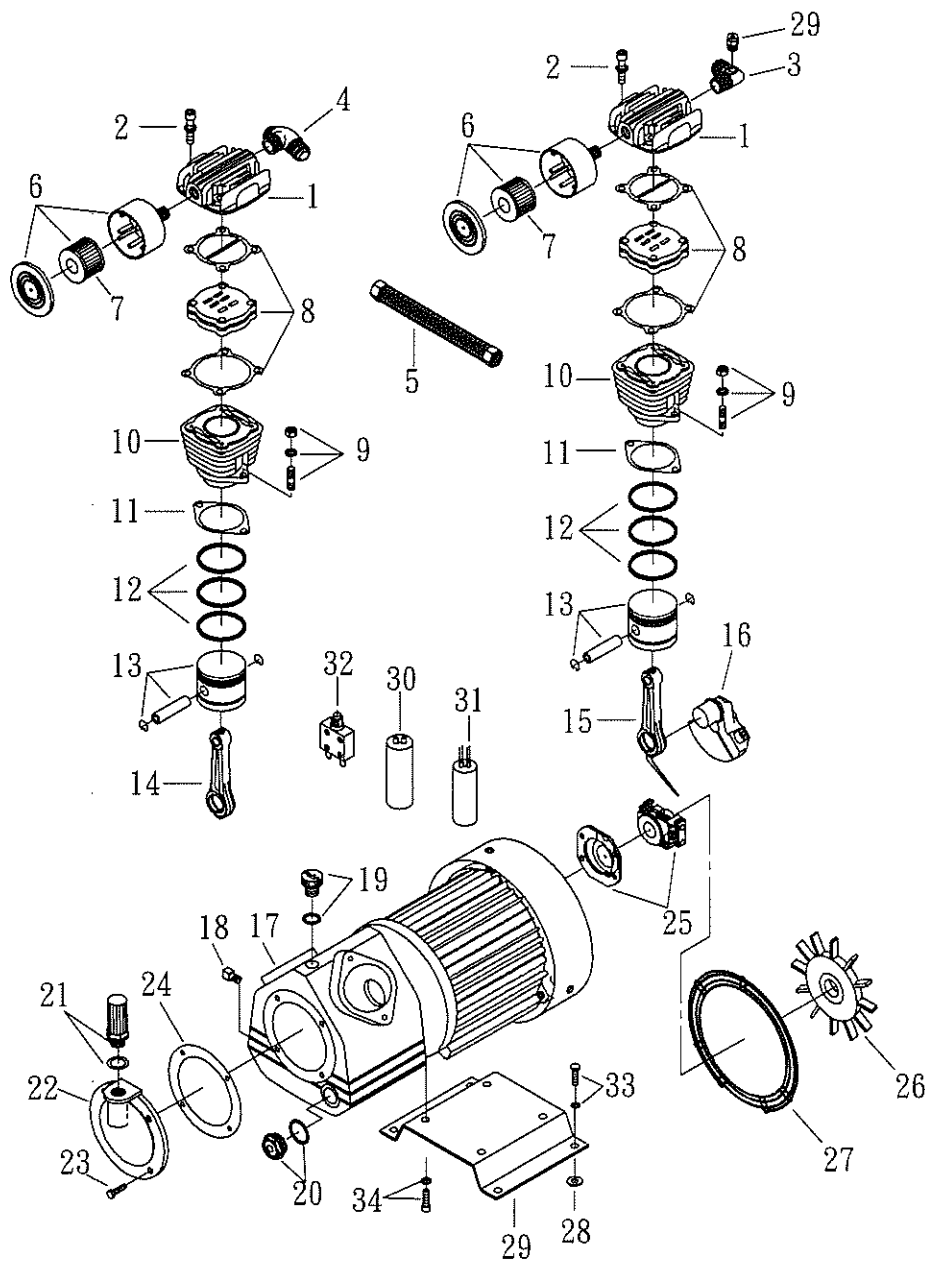


# MODEL : MA15350 (Pump)

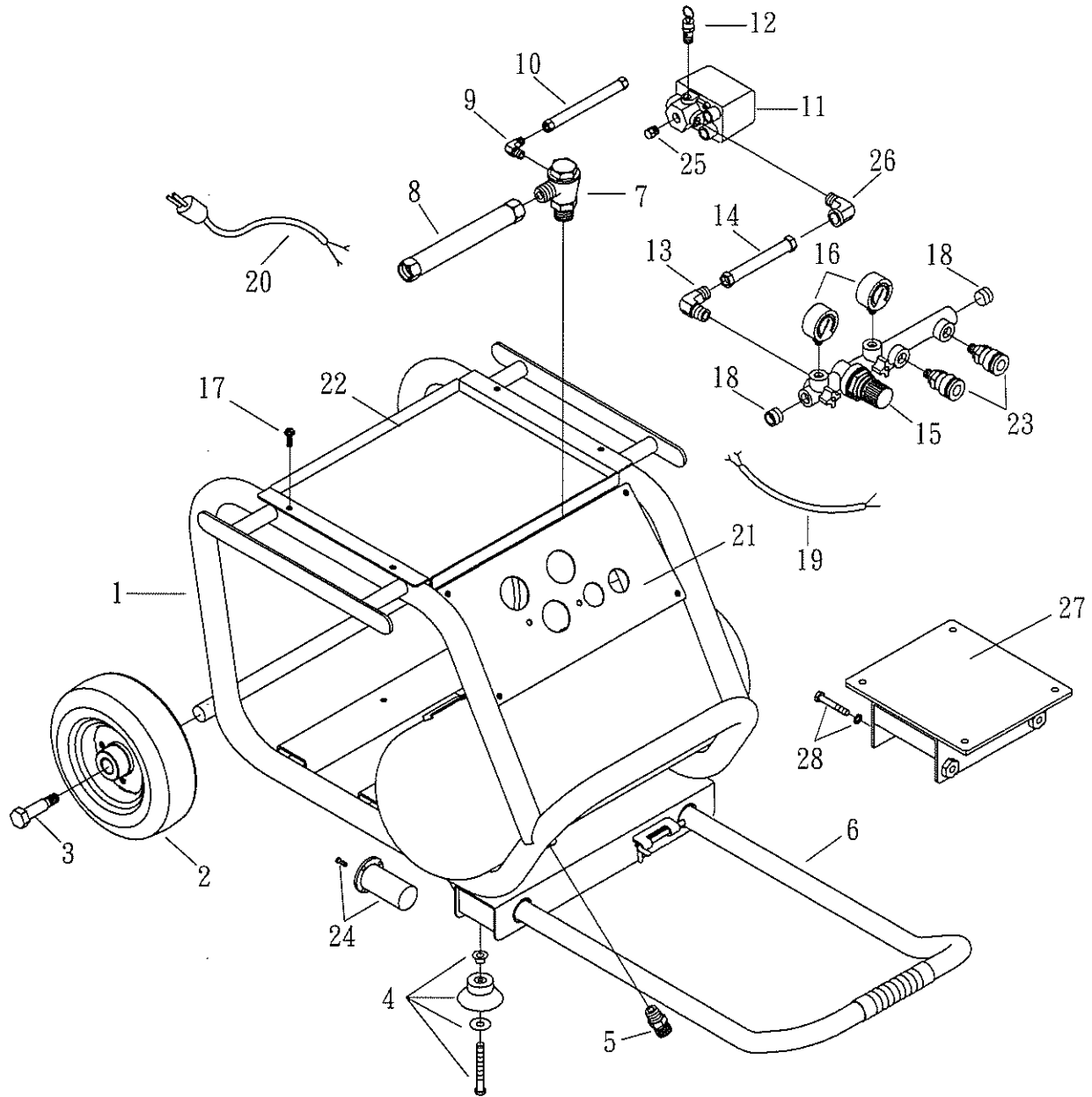


## SPARE PARTS LIST

NO : XH-0911

REF. NO.	DESCRIPTION	PART NO.	QTY.	REF. NO.	DESCRIPTION	PART NO.	QTY.
1	Cylinder head	3101052	2	18	Oil draining plug	2N33-001	1
2	Allen bolt set	3B01-M06*035V	8	19	Oil filling plug set	2319003A	1
3	Exhaust elbow	2N06-04T04H	1	20	Oil sight gauge set	2303003A	1
4	Exhaust three way pipe	2N09-04H04T04H2	1	21	Breather set	2339009B	1
5	Exhaust tube set	3B2-04*215	1	22	Front cover set	3309020A	1
6	Air filter set	2140019A	2	23	Hexagon bolt	2B00-FM06*020	4
7	Filter element	2142013	2	24	Front bearing seat gasket	2G05-011	1
8	In. & Ex. valve assembly	3B13-K5047	2	25	Centrifugal switch set	2E24-19082P	1
9	Double head screw set	3B11-008-A	4	26	Cooling fan	2336002	1
10	Cylinder	3201005	2	27	Fan net	2E31-002	1
11	Cylinder gasket	2G04-015A	2	28	Motor seat block	2439008	4
12	Piston ring set	3B32-42N	2	29	Motor base	3421013	1
13	Piston set	3B31-42N	2	30	Starting capacitor	2E28-300F250V	1
14	Rod	2315049	1	31	Running capacitor	2E27-070F250V	1
15	Rod set	3B33-NB2033	1	32	Thermal protector	2E25-15A	1
16	Crankshaft & balancer	3304070	1	33	Hexagon bolt set	3B00-FM08*020V	4
17	Motor set	3B8-NB2806A	1	34	Allen bolt set	3B01-M08*020V	4

# MODEL : MA15350 (Receiver Tank)



## SPARE PARTS LIST

NO : XH-0911

REF. NO.	DESCRIPTION	PART NO.	QTY.	REF. NO.	DESCRIPTION	PART NO.	QTY.
1	Air tank	3401C024	1	15	Regulator	2408027	1
2	Tank wheel	2402032B	2	16	Pressure gauge	2D12-15V15KS	2
3	Tank wheel bolt	2418005	2	17	Bolt	2B02-FM5*010WB	10
4	Rubber pad set	3433013-A	2	18	Plug	2B14-ST02E	2
5	Drain valve	2405014	1	19	Cable	2E02-2C30702Y2T	1
6	Grip set	3432041-A	1	20	Power cable	2E01-015	1
7	Check valve	2414025T	1	21	Panel	3420065	1
8	Tube	2T02-04*0680	1	22	Shield	3420062	2
9	Unloading elbow	2N06-01T02H	1	23	Quick coupler	07S1/4M-E	2
10	Tube	3B2-02*190F	1	24	Handle bushing	2N32-005-A	2
11	Pressure switch	2E21-070C	1	25	Plug	2N33-009	1
12	Pressure relief valve	2406018CE	1	26	Elbow	2N08-02T02TEC	1
13	Exhaust elbow	2N06-02T02S	1	27	Body seat	3403157	1
14	Tube	2T06-025	1	28	Hexagon bolt set	3B00-FM08*110V	2